

Magnetic Switch

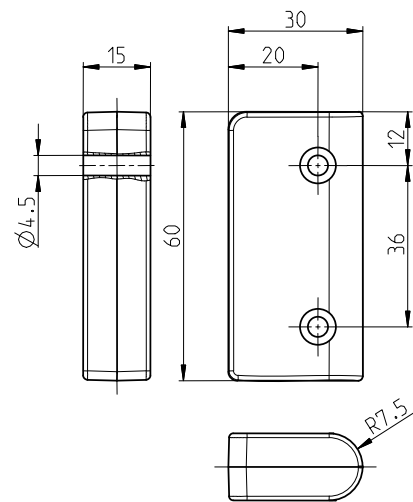
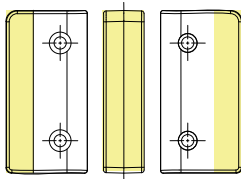
Switching magnet

Description **ASI-CSMS-R-S**

Article number **6073200072**

Active surfaces

(marked in yellow in the picture below)



Mechanical data	
Enclosure	Macromelt (encapsulated magnets)
Magnet	Hartferrit
Mounting	2 holes Ø 4,5 (for M4 screws)
Tightening torque (max.)	1 Nm
Ambient air temperature	-20 °C ... +80 °C
Application	Safety switch, type ASI-CSMS-R
Installation position	optional
Pollution degree	3 acc. to EN 60947-1